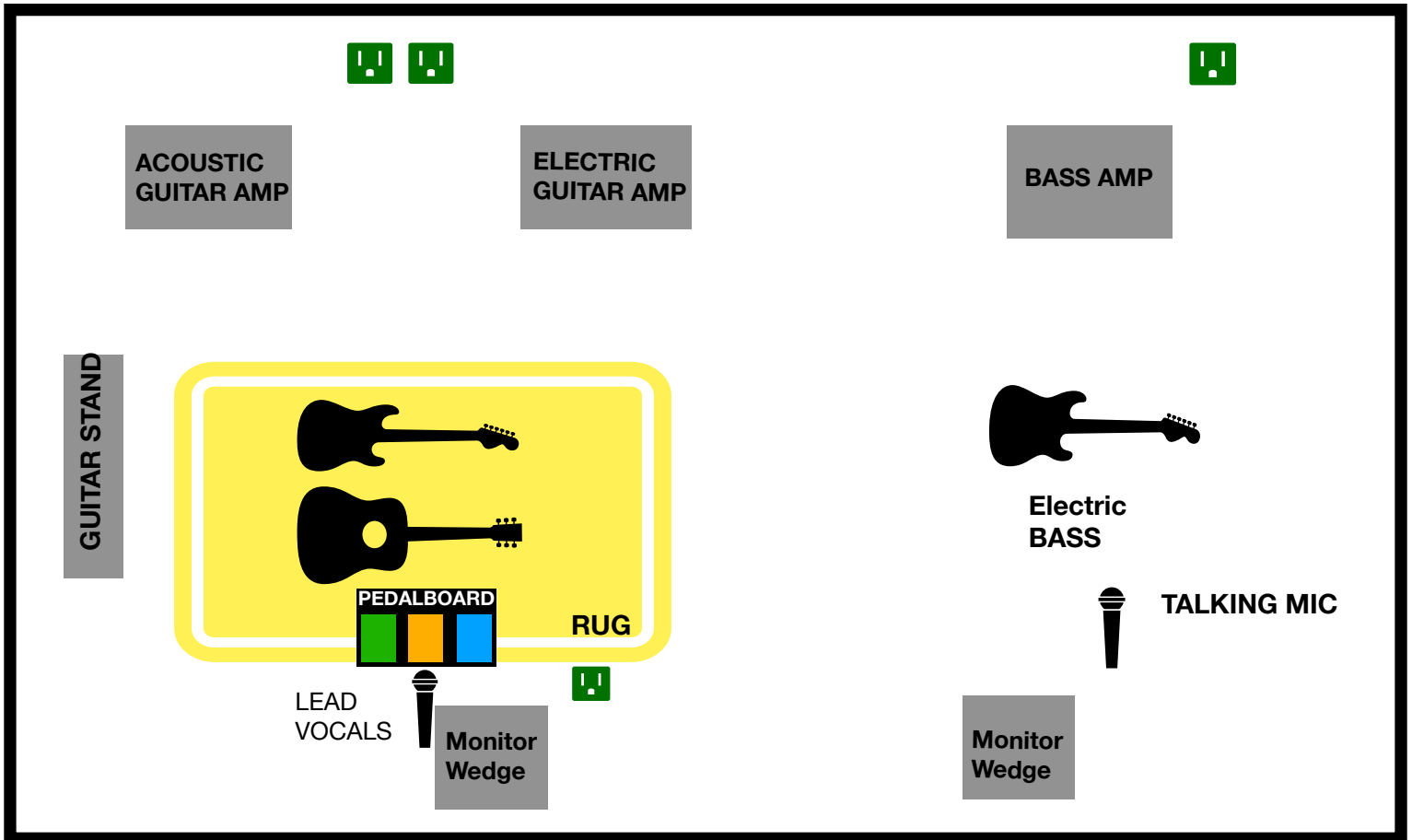


STAGE PLOT AND INPUT LIST

Artist : Meli Levi

Contact: Meli Levi 206.380.2447

Management: mgmt@melilevi.com



AUDIENCE

 = ELECTRICAL OUTLET

| INPUT | FUNCTION | MIC/D.I. | STAND TYPE | INSERT |
|-------|---------------------|-----------------------------------|-----------------|-----------------------------------|
| 1 | Vox | Shure Beta 58, ARTIST PROVIDED | ARTIST PROVIDED | LIGHT COMP, TASTEFUL REVERB ;) |
| 2 | Acoustic guitar amp | XLR D.I. from amp | ARTIST PROVIDED | None |
| 3 | Electric guitar amp | Mic | ARTIST PROVIDED | None |

| INPUT | FUNCTION | MIC/D.I. | STAND TYPE | INSERT |
|-------|---------------|-------------------|---------------------|--------|
| 4 | Electric Bass | XLR D.I. from amp | Electric Bass Stand | None |